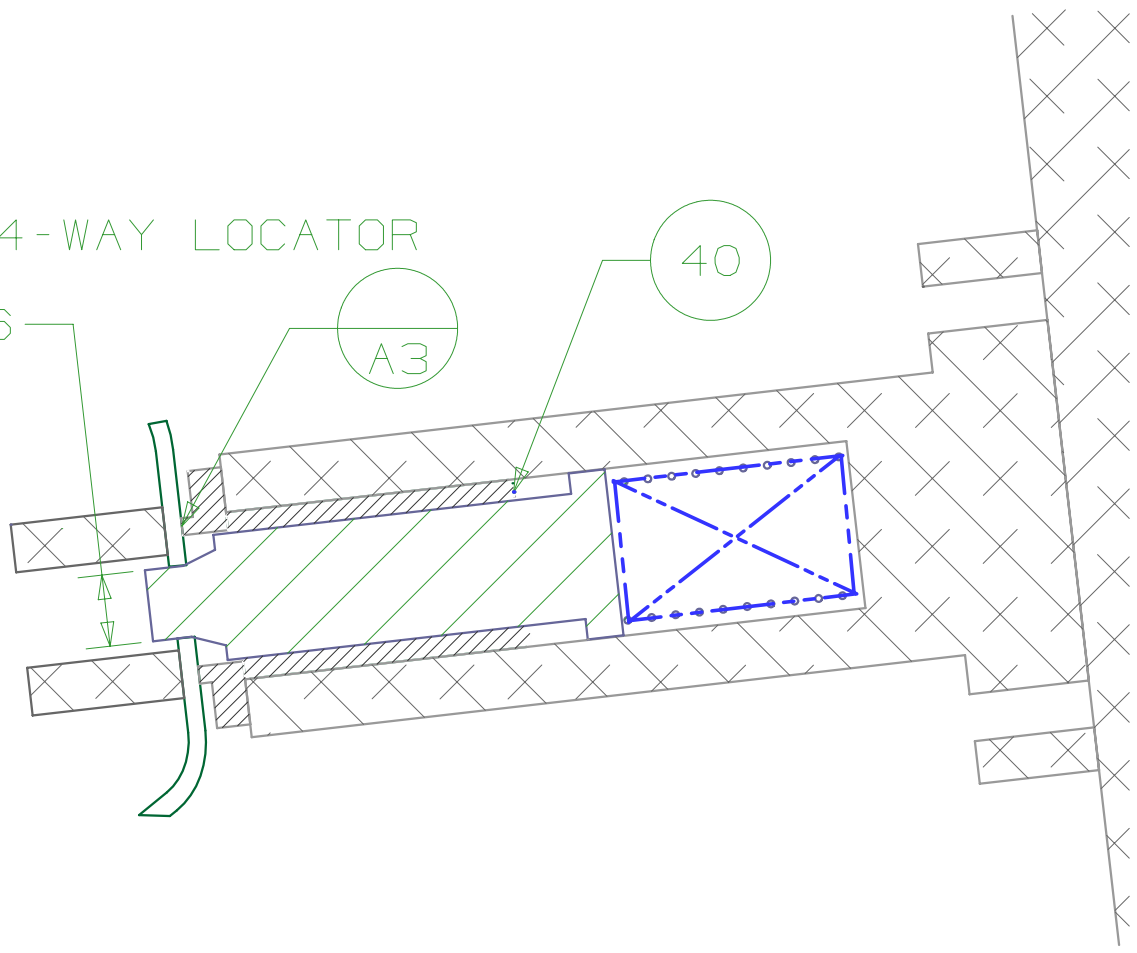


B 4-WAY LOCATOR

$\varnothing$  9.46

A3

40



37